



SUNBLOC™

SHUTTER & LOUVRE SYSTEMS

SUNBLOC

MOTORISED OPENING LOUVRE ROOF



📍 Sydney: sales.sydney@sunbloc.sydney.com.au

📍 Brisbane: sales.brisbane@sunbloc.com.au

📍 Perth: sales.perth@sunbloc.com.au

📍 Newcastle: sales.newcastle@sunbloc.com.au

📍 Melbourne: sales.melbourne@sunbloc.com.au

🌐 www.sunbloc.com.au

SUNBLOC

MOTORISED OPENING LOUVRE ROOF

Transform and create usable open spaces, Open decks, Open Veranda's, Garden areas, Swimming pool areas with a custom made SUNBLOC MOTORISED OPENING LOUVRE ROOF. Residential and Commercial applications. Adding more value to existing locations with energy efficient solutions. Suitable for all seasons. Easy to set and control according to environment and climate conditions as you choose.

Residential applications: Open terraces or verandas, carports, back yards, BBQ area, walkways or halls, balcony, swimming pools, patios entertainment area for family and friends.

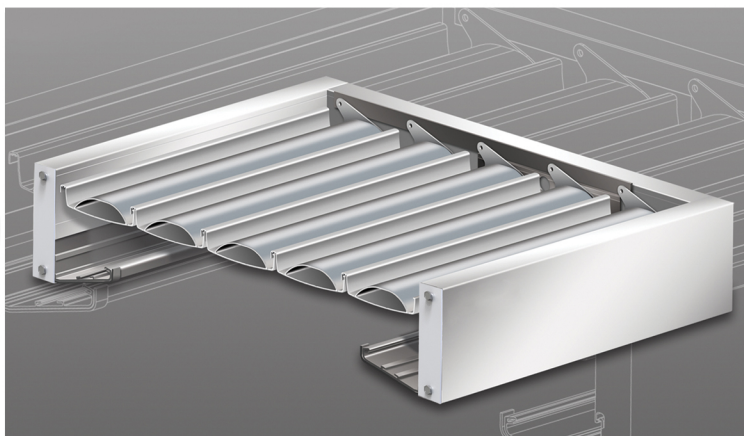
Commercial applications: Cafes, Restaurants, resorts, play grounds, beach resorts, golf clubs, airports, science parks, sports facilities, pool decks on boats and ships, hospitals, car parks Appropriate solutions and adding value to existing open areas.

FEATURES

- Blades are 188 wide
- Large Spanning capabilities
- Semi aerofoil blade top & Flat underside shape
- Drip proof
- Rainproof
- Design tested various wind speeds NZS3604 & aluminium structure 1664.1:1997
- Motorised Opening Roof Louvre with remote control
- Built-in motor with IP65 rating
- Fully engineered for roof application
- Installed to any style
 - Stand alone
 - Single or multi bay
 - Integrated, fixed to existing wall(s), post, openings
 - Flat, Gabled, Pitched, Inside or Outside corners
- Powder coated to meet Australian Standard AS3715:2002
- Optional heaters & LED lights
- Optional Lockable Operable Aluminium Shutters
- Optional Motorised Screen

BENEFITS

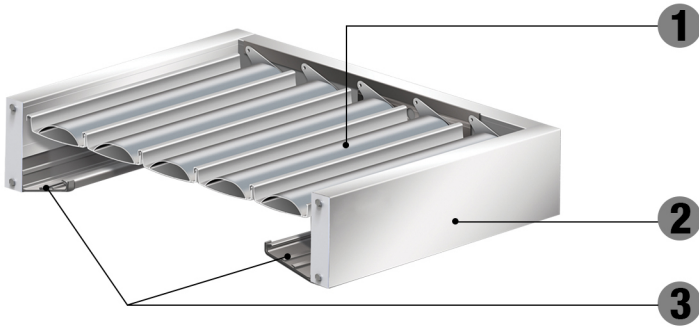
- Natural light & air ventilation
- Extended roomy outdoor space (family gatherings or restaurant extensions & others)
- Ventilation control with Classic neat look and easy to clean & maintain
- You can have your outdoor sofas, TV or sound system
- Rain or Shine
- Suitable for low to extremely high wind zone areas
- Sun, wind & rain control at your fingertips
- Full protection from rain & tampering of system
- Worry free, ease of maintenance
- Flexible integration
- Suitable for harsh Australian Climate
- Winter & Summer, Day & Night outdoor living
- Protect outdoor areas from Sun, Rain & Wind from all sides including unwanted visitors.
- Simple way to control light, heat, glare keep insects out



SUNBLOCTM
SHUTTER & LOUVRE SYSTEMS



www.sunbloc.com.au



MOTORISED OPENING LOUVRE ROOF ALUMINIUM EXTRUSIONS

Extrusion Type	Finishing
1 BEAM	Powder Coating Natural Anodising
2 BLADE	
3 GUTTER	

DESIGN PARAMETERS FOR BLADE SPANS:

- Height of building $\leq 10\text{m}$
- Roofs fixed to existing building
- Drag has been ignored
- Ratio of width to length of the frame does not exceed 5:1
- Wind zones exceeding extremely high, specific engineering design is required
- Snow loads have not been covered below, will require specific design
- Design of the MOTORISED OPENING LOUVRE ROOF ALUMINIUM extrusions are based on maximum deflection limit of span/40

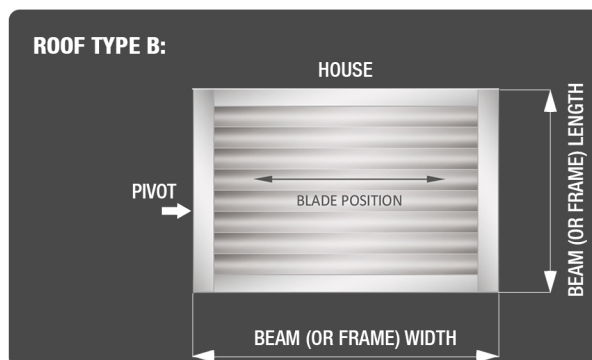
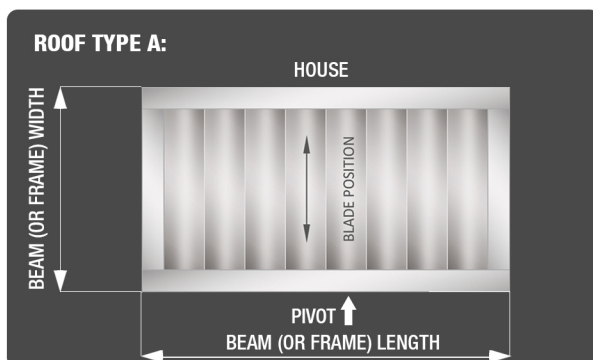
BLADE SPANS REFERENCE:

WIND ZONES	LOW	MEDIUM	HIGH	VERY HIGH	EXTREMELY HIGH
WIND SPEED, m/s - km/h	32 m/s - 115 km/h	37 m/s - 133 km/h	44 m/s - 158 km/h	50 m/s - 179 km/h	55 m/s - 198 km/h
MAXIMUM SPAN, mm	5000 mm	4500 mm	3800 mm	3400 mm	3100 mm

BEAM (OR FRAME) SPANS REFERENCE:

	WIND ZONES WIND SPEED, m/s - km/h				
	LOW	MEDIUM	HIGH	VERY HIGH	EXTREMELY HIGH
BLADE SPAN, mm	32 m/s - 115 km/h	32 m/s - 115 km/h	44 m/s - 158 km/h	50 m/s - 179 km/h	55 m/s - 198 km/h
1000 mm	7750 mm	7100 mm	6000 mm	5500 mm	5200 mm
1500 mm	6800 mm	6100 mm	5250 mm	4800 mm	4400 mm
2000 mm	6150 mm	5550 mm	4750 mm	4250 mm	3850 mm
2500 mm	5700 mm	5150 mm	4300 mm	3800 mm	3450 mm
3000 mm	5400 mm	4700 mm	3950 mm	3500 mm	3150 mm
3500 mm	5050 mm	4350 mm	3700 mm	3250 mm	3000 mm
4000 mm	4750 mm	4100 mm	3450 mm		
4500 mm	4300 mm	3900 mm			

Factors such as climate, terrain, structure, shielding, location and other factors all contribute to determine spans.



SUNBLOCTM
SHUTTER & LOUVRE SYSTEMS



www.sunbloc.com.au

BEAM LENGTH VS NO. OF BLADES TABLE

MINIMUM

Number of Blades	Exact Beam Length, mm	Pitch per blade, mm
1	320	178
2	498	178
3	676	178
4	854	178
5	1032	178
6	1210	178
7	1388	178
8	1566	178
9	1744	178
10	1922	178
11	2100	178
12	2278	178
13	2456	178
14	2634	178
15	2812	178
16	2990	178
17	3168	178
18	3346	178
19	3524	178
20	3702	178
21	3880	178
22	4058	178
23	4236	178
24	4414	178
25	4592	178
26	4770	178
27	4948	178
28	5126	178
29	5304	178
30	5482	178
31	5660	178
32	5838	178

MAXIMUM

MAXIMUM: Maximum number of blades per one full length of Beam.

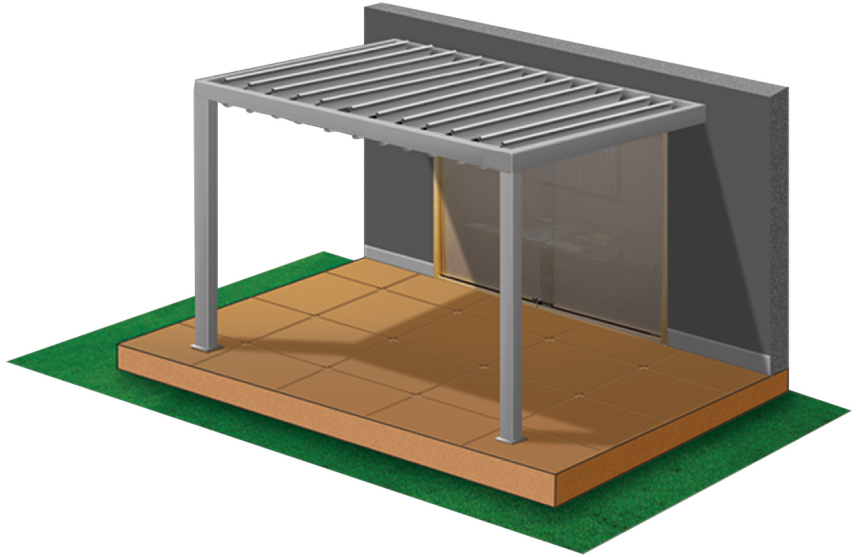


SUNBLOCTM
SHUTTER & LOUVRE SYSTEMS

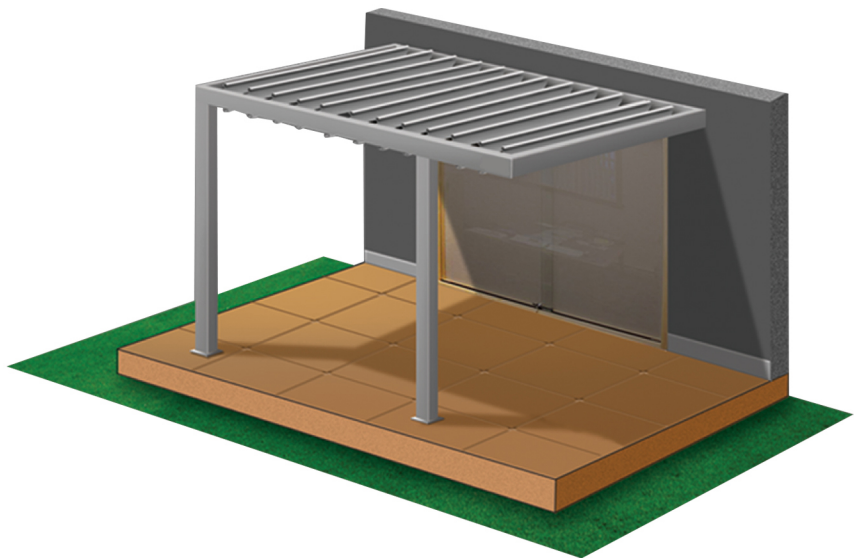


www.sunbloc.com.au

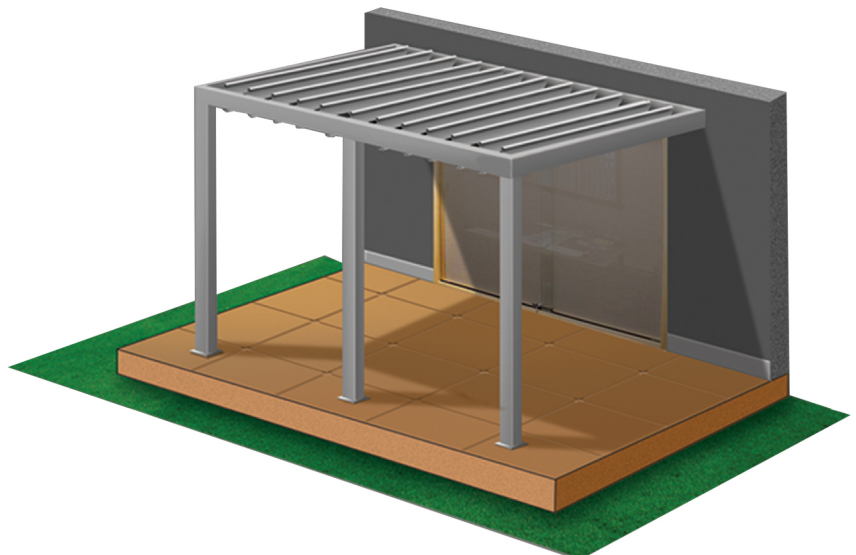
1. Simply Supported



2. Single Cantilever



3. Continuous Span



SUNBLOC[™]
SHUTTER & LOUVRE SYSTEMS

 www.sunbloc.com.au

MOTORISED OPENING LOUVRE ROOF 100 x 100 POST

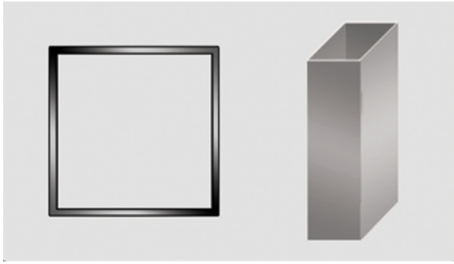


TABLE 1: POST SIZE vs. BEAM LENGTH
(FOR MEDIUM WIND ZONES ONLY 32 m/s or 115 KM/H)

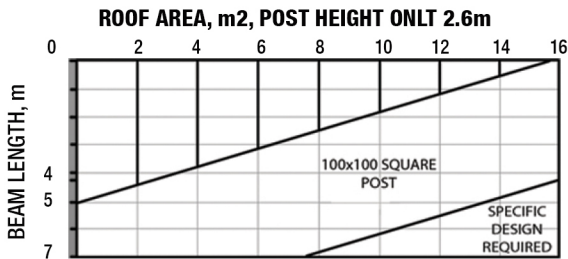
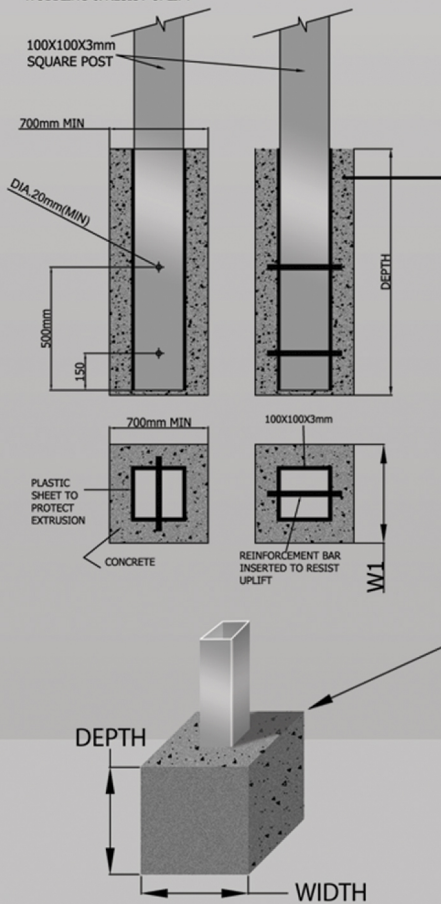


FIG. 1 SQUARE CONCRETE FOOTING

RECOMMENDED CONCRETE FOOTING FIXING DETAILS TO PREVENT WOBBLING & RESIST UPLIFT

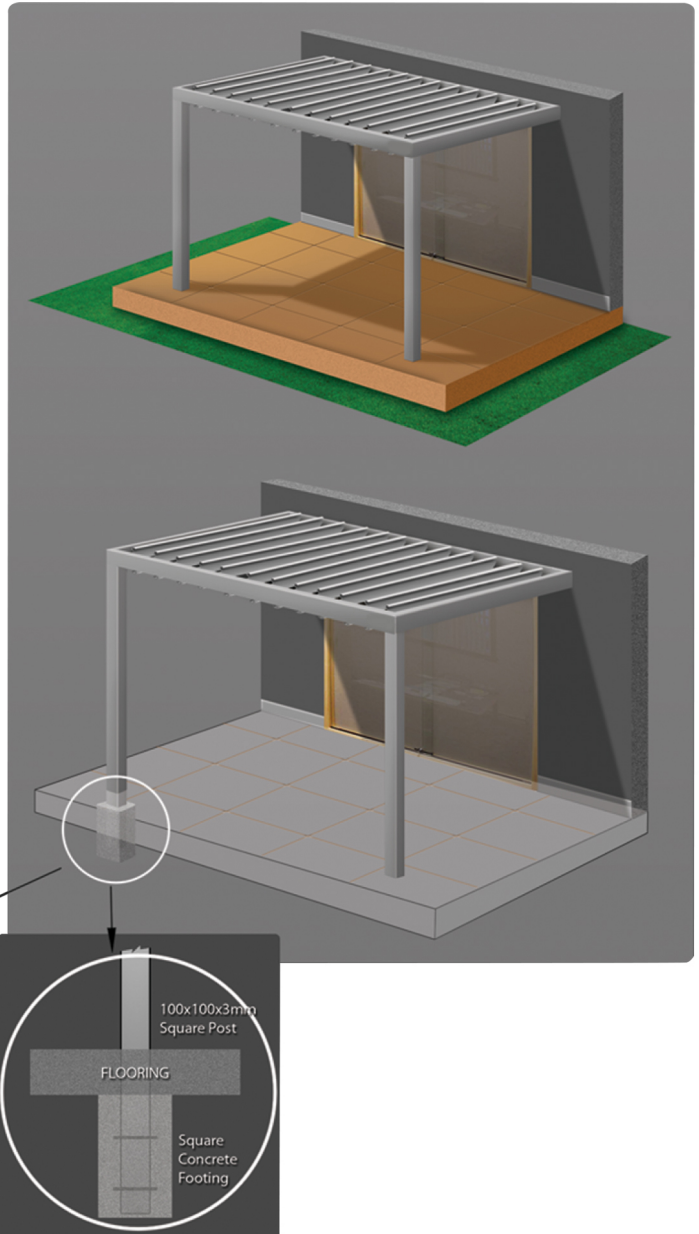


POST DIMENSION 100 x 100 x 3 mm

POST FINISHING POWDER COATING
NATURAL ANODISING

DESIGN PARAMETERS FOR BLADE SPANS:

- Height of building < 10m
- Roofs fixed to existing building
- Drag has been ignored
- Ratio of width to length of the frame does not exceed 5:1
- Wind zones exceeding extremely high, specific engineering design is required
- Snow loads have not been covered below, will require specific design
- Design of the MOTORISED OPENING LOUVRE ROOF ALUMINIUM extrusions are based on maximum deflection limit of span/40



SUNBLOCTM
SHUTTER & LOUVRE SYSTEMS

www.sunbloc.com.au

Built for purpose and application



Sun and Rain

Provides shelter, privacy and sun protection from summer sun and heat.

Enjoy natural light

Allows you to make the most of the “winter sun”

Rain sensor options available

Allows for light, shade, and air flow control in all seasons

Insulation, Sound reduction and Air flow

Hollow and thick blade profiles allows for better thermal insulation and sound reduction

Allows the air flow to be controlled in wet and dry weather.

Allows ventilation of heat or after rain

Energy efficient, Reduces heating and cooling costs and provides thermal comfort

Control

Options of remote or direct wired

Options of sensors - rain, temperature, air flow

Single or multi motor controller

Hidden operating system

Controllers:



Single Channel Wall Controller



Dual Channel Wall Controller



Single Channel Remote



Wind / Rain Sensor



Dual Channel Remote



Single / Dual Controller



SUNBLOCTM
SHUTTER & LOUVRE SYSTEMS

 www.sunbloc.com.au



SUNBLOC™

SHUTTER & LOUVRE SYSTEMS

CONTACT YOUR NEAREST BRANCH

Brisbane

Address: 1/43 Raubers Road Northgate QLD 4013
Email: sales.brisbane@sunbloc.com.au

Sydney

Address: 1/26-28 Redfern St Wetherill Park NSW 2164
Email: sales.sydney@sunbloc.sydney.com.au

Perth

Address: 35 Edison Circuit, Forrestdale WA 6112
Email: sales.perth@sunbloc.com.au

Newcastle

Address: 119 Glenwood Drive Thornton NSW 2322
Email: sales.newcastle@sunbloc.com.au

Melbourne

Address: 26 Evolution Drive, Dandenong South VIC 3175
Email: sales.melbourne@sunbloc.com.au

 www.sunbloc.com.au

Head Office



1/26-28 Redfern St Wetherill
Park NSW 2164



02 8729 0680



head.office@sunbloc.com.au